



WallWalker™ Setup and Use Instructions

Know your Local, State and Federal Codes

INITIAL ASSEMBLY AND INSPECTION

- 1) Inspect the WallWalker™ unit and parts.
- 2) Ensure that you received all parts shown in the parts diagram.
- 3) Remove the tab lock pin at the top of the vertical beam so that you may remove the slider tube from the stored shipping position. Insert the slider tube through the rectangular hole at the top of the vertical beam and use the tab lock pin to secure it into place. (*Note -this standard slider tube is adjustable from 4" and up to 8" wall thicknesses. A longer slider tube is available for up to 14" wall thicknesses.)
- 4) Slide the slider bracket onto the slider tube with the longest side facing the vertical beam and lock into place with the attached tab lock pin at the desired wall width adjustment. (*Note - The standard slider bracket extends down the wall approximately 4 inches. A longer slider bracket is available that extends down the wall about 8 inches.)
- 5) Adjust the horizontal beam to the desired height by tilting the horizontal beam upward and sliding it to the desired position on the vertical beam. Rotate the horizontal beam so that it is perpendicular to the vertical beam and the stop plate is seated inside one of the adjustment notches on the back of the vertical beam.

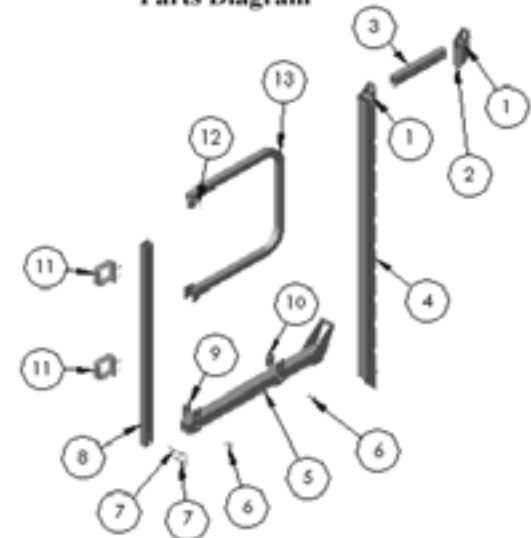
Standard Unit

1. Tab lock pin
2. Slider Bracket
3. Slider Tube
4. Vertical beam
5. Horizontal beam
6. Thumb screw
7. Detent pin
8. Handrail post
9. Plank bracket
10. Notched plank bracket

Accessories (sold separately)

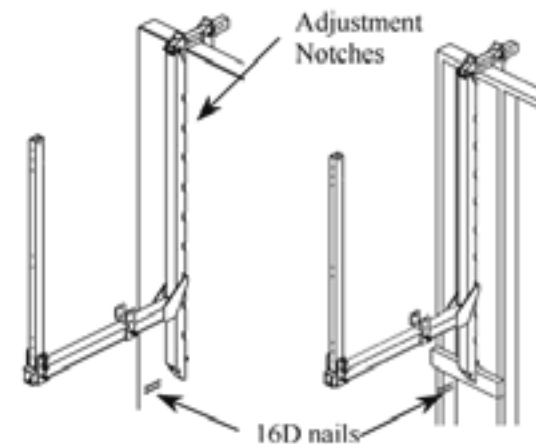
11. Quick bracket
12. End gate pin
13. End gate

Parts Diagram



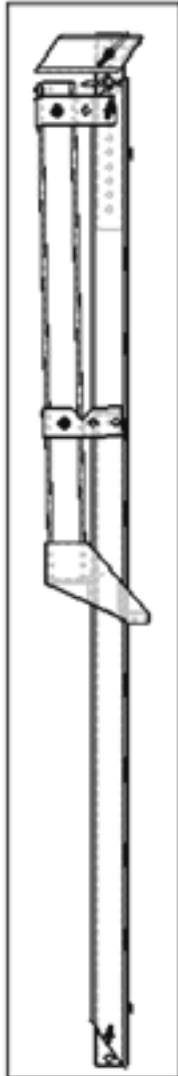
SETUP

- 1) Ensure that the wall or structure that will be supporting the WallWalker™ is properly braced.
- 2) Place the WallWalker™ so that the base of the slider tube is resting on the top of the wall or opening in the structure. The vertical beam will rest on the sheeted wall, beam or stud. The WallWalkers may be hung on the inside or outside wall.
- 3) You may secure the base of the WallWalker™ to the wall or stud through the two holes at the base of the vertical beam. This may be done with 16D nails or comparable fasteners. This will help with undesired movement of the WallWalker™ while setting the planks or walk boards. (*Note - A 2x4 or other acceptable material should be attached to the base of the WallWalkers and rest on at least two studs on a unsheeted wall so that the load may be adequately distributed.)
- 4) Place planking that meets OSHA standards onto the horizontal beams of the WallWalkers™ between the plank brackets. Insert the thumb screws into the threaded inserts on the sides of the plank brackets. Use the plank brackets to secure the planks to the WallWalkers™. The notched plank bracket should fit over the lip of most aluminum planks and lock the plank down.

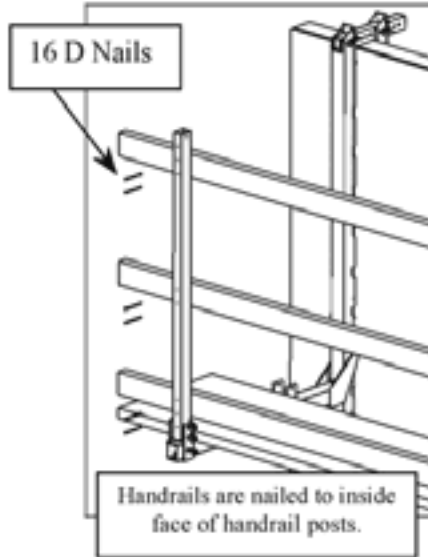


Wallwalkers™ can be installed on sheeted or unsheeted walls and secured with 16D nails at the base.

Instructions



Stored Configuration



HANDRAIL INSTALLATION

- 1) Remove the handrail posts from the storage position at the base of the vertical beam. Use the detent pins (included) to secure the handrail post to the outer plank bracket.
- 2) Apply quality 2x4 lumber to the inside of the post with 16D nails to secure top rails, midrails, and toe boards where required. (*Note – Quick brackets may be purchased and secured to the handrail posts for quicker installation of top rails and midrails. End gates may also be purchased to provide fall protection at the end of each WallWalker)

****All fall protection and fall restraint systems used in conjunction with the WallWalker, including strength and installation of rails and toe boards must meet all local, state and federal codes.**

STORAGE INSTRUCTIONS

- 1) Remove handrail post and slide up inside the base of the vertical beam. Secure it in place with a detent pin.
- 2) Fold horizontal arm so that it rests next to the vertical beam. The WallWalker may be locked in the folded position by securing the outer plank bracket to the top of the vertical beam with one of the detent pins. The slider tube may store in the top of the vertical beam secured with the same detent pin. The slider bracket remains secured to the slider tube with the tab lock pin.

CAUTION!! Read all instructions and warning labels supplied with the WallWalkers.

