

AES RAPTOR ALL-IN-ONE™

Completely Adaptable Roofing Base



Spec Data Sheet

DIMENSIONS:

LENGTH	10"
WIDTH	7"
HEIGHT	62"

WEIGHT	25 Pounds (each)
--------	------------------

COMPATIBILITY	-RaptorRail™ reusable horizontal rails -Lumber rails
---------------	---

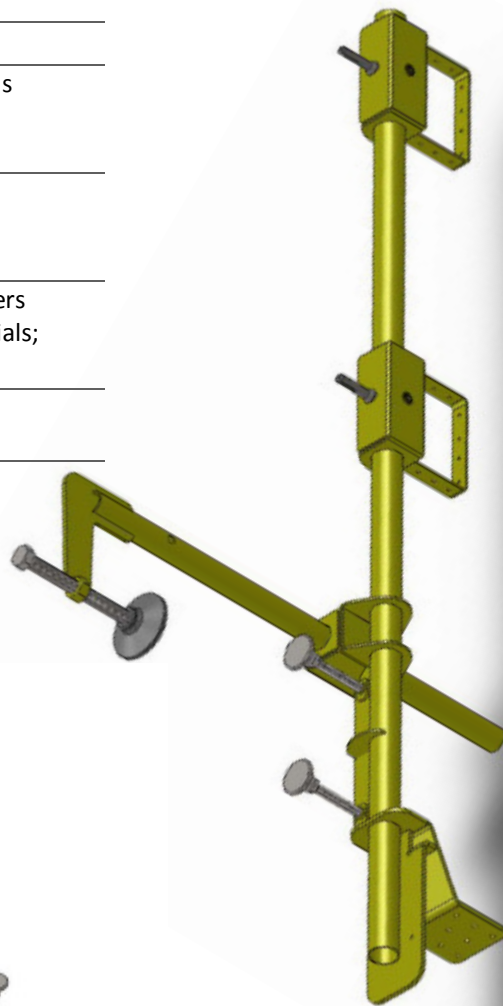
FASTENERS	1.5" #14 Screws
-----------	-----------------

WARRANTY	Manufacturers limited warranty covers any defect in workmanship or materials; One year form date of purchase
----------	--

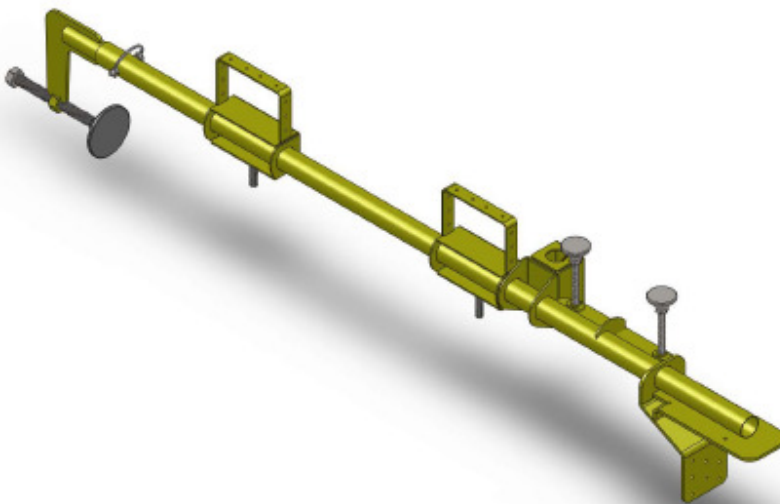
FALL PROTECTION STANDARDS	1926.502 (B) GuardRail Systems
---------------------------	--------------------------------

PART NO.	RB-03
----------	-------

Assembled:



Stored:



TOLL-FREE 1-888-990-2990
WWW.RAPTORSAFETY.COM

AES RAPTOR ALL-IN-ONE™

Completely Adaptable Roofing Base



Includes pegs for reusable RaptorRail™ horizontal rails

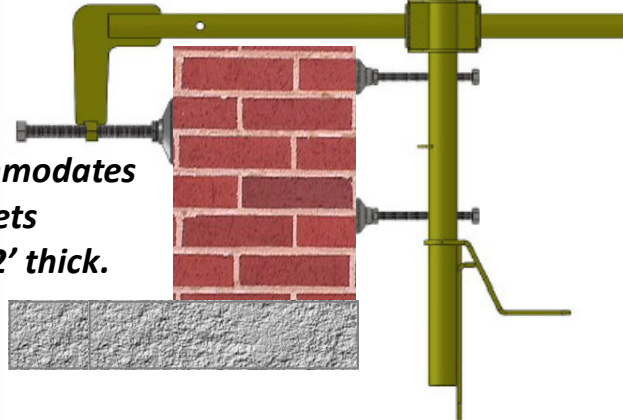
Accepts horizontal wood rail

Adjustable height brackets

Brackets swivel 180 degrees for parapet, flat edge

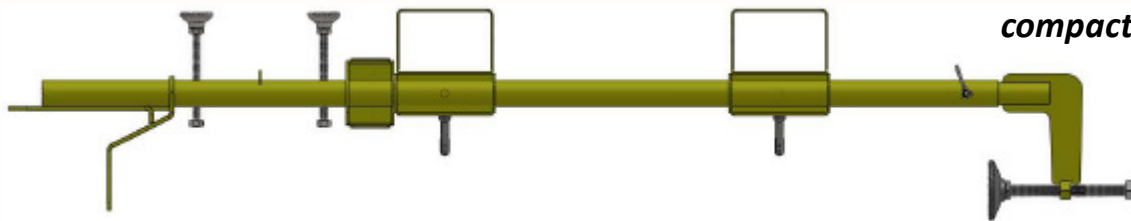
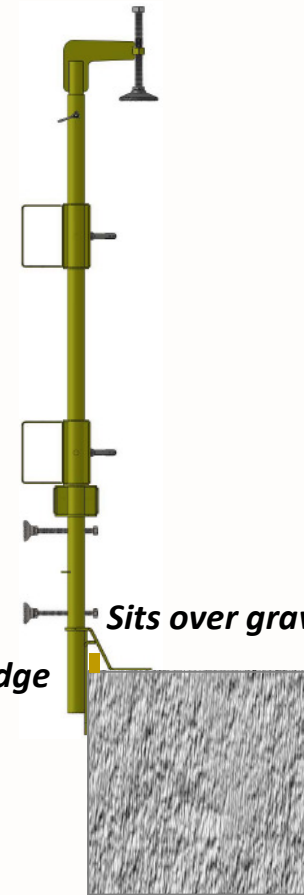
Parapet clamp attachment

Accommodates parapets up to 2' thick.



Flat edge base

Sits over gravel stop



Attachment stores compactly inside

TOLL-FREE 1-888-990-2990
WWW.RAPTORSAFETY.COM